

THERMOSASH COMMERCIAL LTD

these drawings are copyright, the property of

41 POLAND ROAD, GLENFIELD, AUCKLAND
 BOX 100340 NORTH SHORE MAIL CENTRE
 PHONE (09)444 4944, FAX (09)4444886
 E-MAIL : admin@thermosash.co.nz

CHANNEL GLAZING
 TOTAL VISION SYSTEM

TITLE: HORIZONTAL CROSS SECTIONS

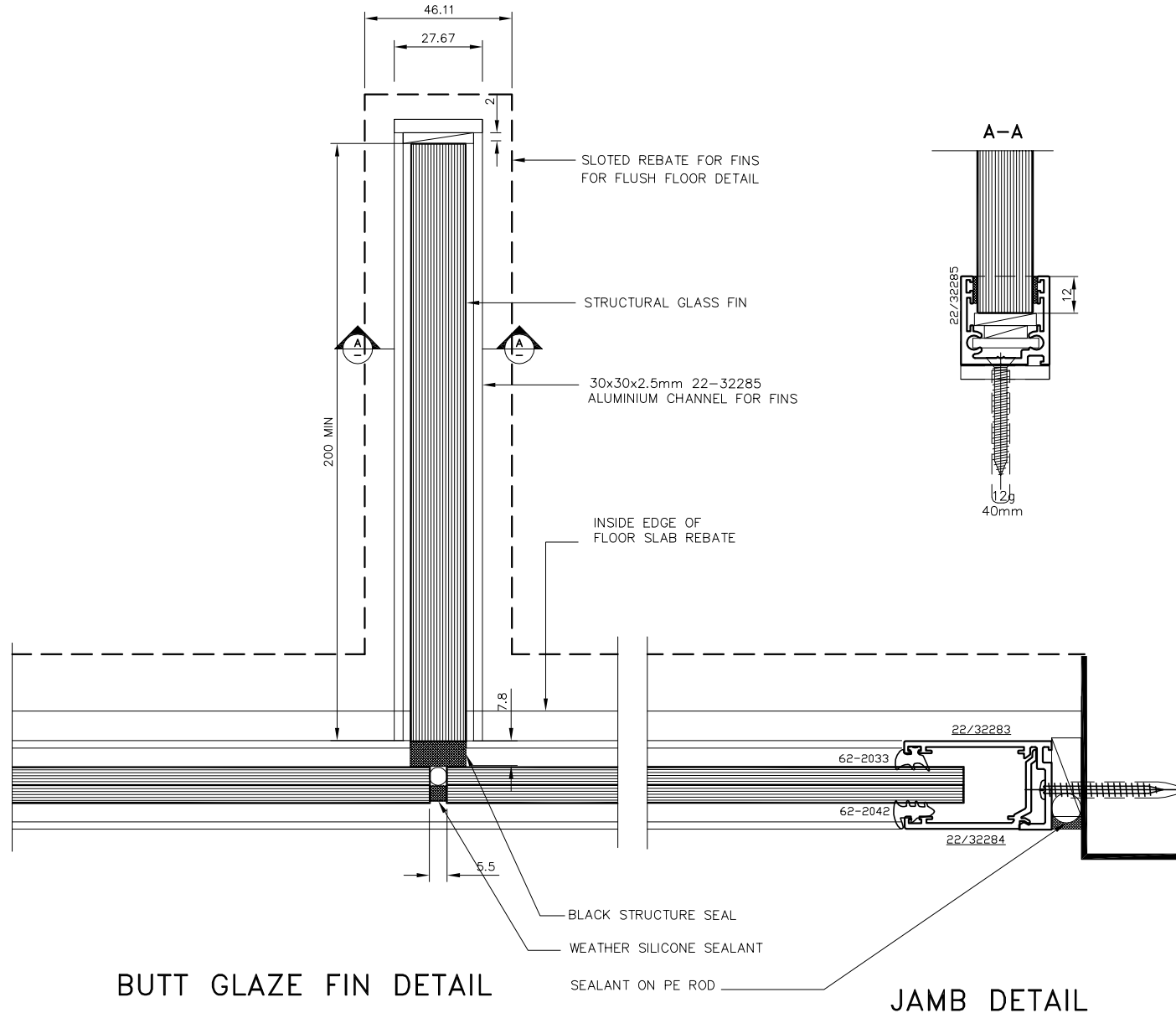
DRAWN
 SCALE

JANE
 1:2

CHECKED
 DATE

12.05.10

SHT.1



BUTT GLAZE FIN DETAIL

JAMB DETAIL

THERMOSASH COMMERCIAL LTD

these drawings are copyright, the property of

41 POLAND ROAD, GLENFIELD, AUCKLAND
 BOX 100340 NORTH SHORE MAIL CENTRE
 PHONE (09)444 4944, FAX (09)4444886
 E-MAIL : admin@thermosash.co.nz

CHANNEL GLAZING
 TOTAL VISION SYSTEM

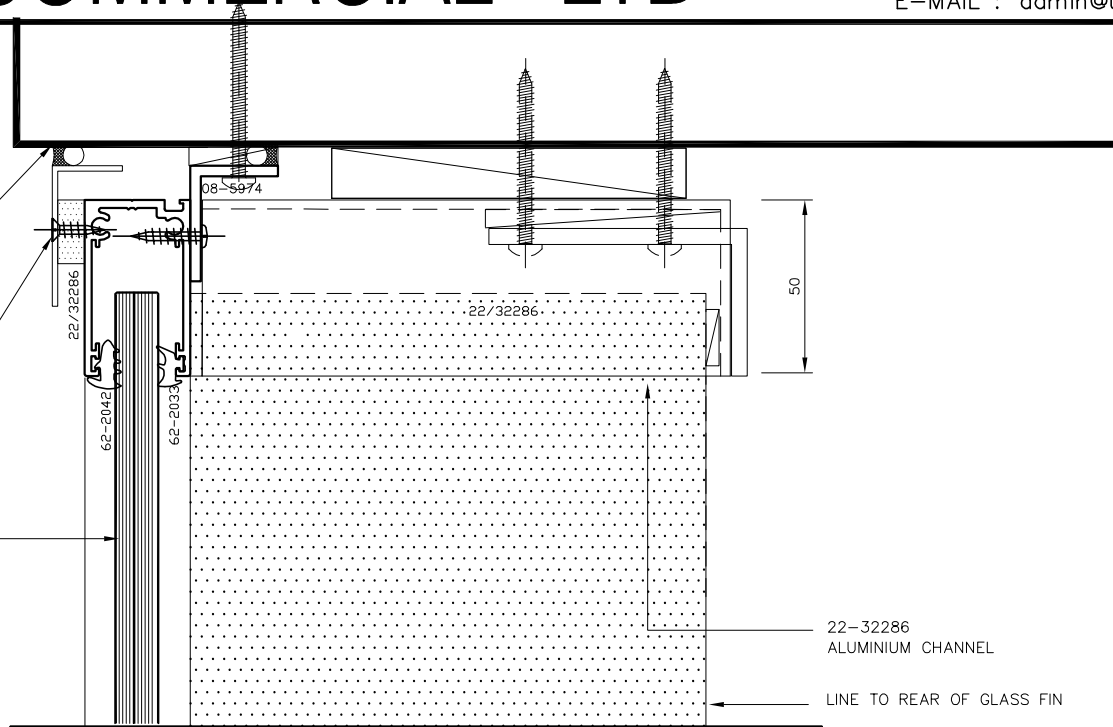
TITLE: VERTICAL CROSS SECTIONS

DRAWN	JANE	CHECKED		SHT.2
SCALE	1:2	DATE	12.05.10	

HEAD DETAIL

SEALANT ON PE ROD
 40 x 20 x 1.6mm
 ALUMINIUM RAINSHIELD ANGLE

12.38 LAMINATE GLASS



SILL DETAIL

